

Plasma Display Stand

Handling Instructions

AS4250

For both 42-inch and 50-inch plasma displays

We greatly appreciate your purchase of this MARANTZ Plasma Display Stand.
Read these instructions carefully to ensure proper usage.

* This plasma display stand is designed specifically for use with MARANTZ plasma displays.

**Special skills are required to install the Plasma Display.
Do not attempt to install the Plasma Display on your own.**

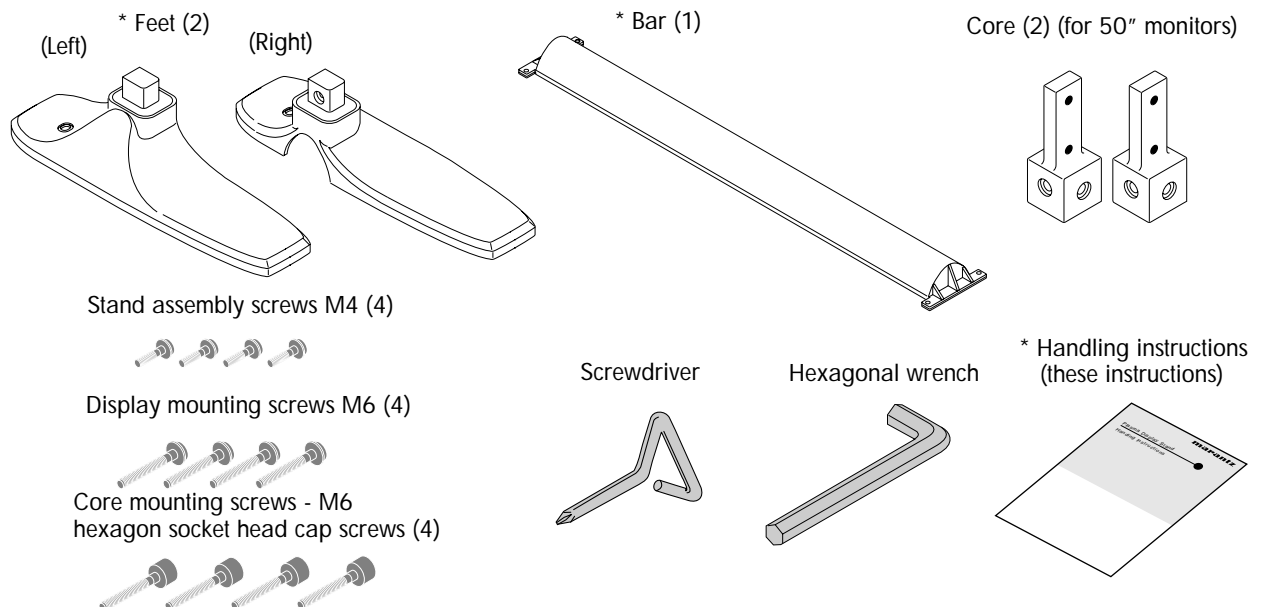
Attention: Sales Agents and Technicians

To ensure the user's safety, be sure to select a place sufficiently strong to bear the weight of the Plasma Display and the different units.

Installation should be performed by a minimum of two persons.

Be careful not to lose removed screws, etc.

Parts Included



Specifications

Model: AS4250

External dimensions: (W) 814 x (H) 192x (D) 400 mm
(W) 32.0 x (H) 7.6x (D) 15.7 inches


Weight: 3.2 kg
7.3 lbs


Always Heed the Following

Before Use...

Symbols


Various symbols are used in this Instruction Manual for the safe and proper use of the product as well as preventing any injury or damage to persons or property. These symbols and their meanings are described below. Please have a good understanding of these matters before reading the main text of the manual.

WARNING  Ignoring this indication and improper handling could be the cause of personal injury such as a serious injury or death.


CAUTION  Ignoring this indication and improper handling could cause injury to a person or damage to the surrounding household belongings.

Examples of Symbols




 This symbol informs that there are contents that **demand caution (including warnings)**. Concrete details of the caution are written within the diagram.



 This symbol indicates a **prohibited** matter. Concrete details of the prohibition are written within the diagram.



 This symbol indicates something that **must be done**. Concrete details of the prohibition are written within the diagram.

WARNING



- Be sure to have the Plasma Display installed by your store of purchase following the instructions in this manual. If installed incorrectly, the Plasma Display could tip over, resulting in injury.



- To ensure safety, tighten bolts and screws securely. Failure to do so could cause the Plasma Display to tip over, resulting in injury.



- Do not modify parts. Doing so could cause the Plasma Display to tip over, resulting in injury.



- Do not use damaged parts. Doing so could cause the Plasma Display to tip over, resulting in injury. If a part should be damaged, contact the store of purchase.



- Each unit is designed specifically for use with MARANTZ plasma displays. Please do not mount any other equipment with these items. Doing so may cause the item to fall over and result in injury.



- Do not set on shaky stands, tilted surfaces or other unstable places. Doing so could cause the Plasma Display to tip over or fall, resulting in injury.

Always Heed the Following

⚠ CAUTIONS



- Do not obstruct the Plasma Display's ventilation holes.

If the ventilation holes are covered, the heat will build up inside, and this could lead to fire.

For example, do not install the Plasma Display in narrow spaces where ventilation is poor, do not place covers over it, etc.



- Do not install the Plasma Display near air conditioner air outlets or in places where vibrations are strong.

Doing so could lead to fire or electric shock.

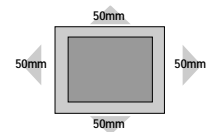


- Do not install the Plasma Display in humid or dusty places or places exposed to soot or vapor (such as in kitchens, near humidifiers, etc.). Doing so could lead to fire.

Do not install the Plasma Display outdoors. Doing so could lead to fire or electric shock.



- When installing the Plasma Display, leave sufficient space around it, as shown in the diagram. Failure to do so could cause heat to build up inside, leading to fire.



- Hold the Plasma Display securely when mounting the units on it. Failure to do so could cause the Plasma Display to fall, resulting in injury.



- When installing the Plasma Display on a stand with casters, be sure to block the casters. If the stand should move, the Plasma Display could fall, resulting in injury.



- The Plasma Display is heavy, so be sure to install in a stable place and take measures to prevent it from tipping over and causing injury.

The Plasma Display has a high center of gravity. It should be unpacked and moved by a minimum of two people, holding it at the top and bottom. Failure to do so could cause the Plasma Display to fall, resulting in injury.

NOTES

Avoid dusty or humid rooms and rooms filled with soot or cigarette smoke.

The Plasma Display's screen could get dirty, resulting in poor picture quality.

Avoid places where the screen is exposed to direct sunlight or strong artificial light.

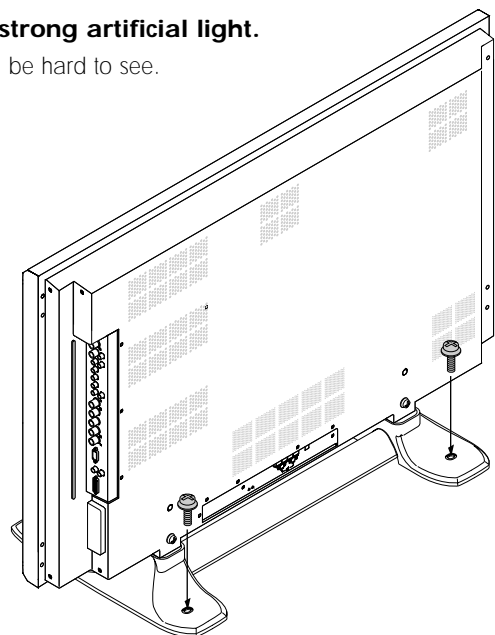
If surrounding light should shine on the screen, the screen will appear white and be hard to see.

Do not install in places where the temperature is high or low.

Doing so could result in damage.

Additional fall prevention measures

- Either use the tip prevention fitting included with the display to fix the plasma display to a wall, pillar or other strong place or use the holes on the back on the stand to fix to a table, etc.. (Do not use with the separately sold ceiling mount unit or wall mount unit.)
- Pay attention to the rope when moving the Plasma Display.
- The screws for fastening the display to the wall, a pillar or a stand are not included. Please obtain screws suited for the surface on which the display is to be mounted.



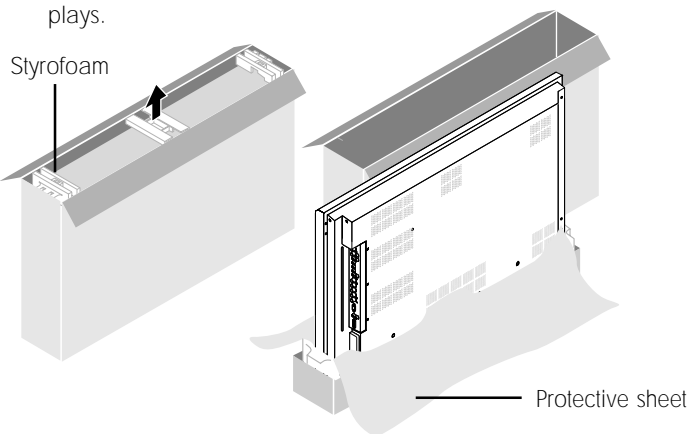
Installing the Plasma Display on the Stand

For both 42-inch and 50-inch plasma displays

Preparations

1. Unpack the plasma display.

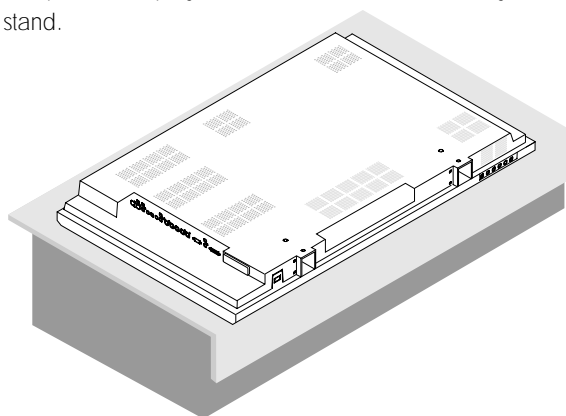
1. Open the top of the cardboard in which the plasma display is packed and remove the three pieces of styrofoam.
 2. Pull out the cardboard from the top and open the protective sheet.
- * The diagrams below are for the 42-inch plasma displays.



2. Lay the plasma display down.

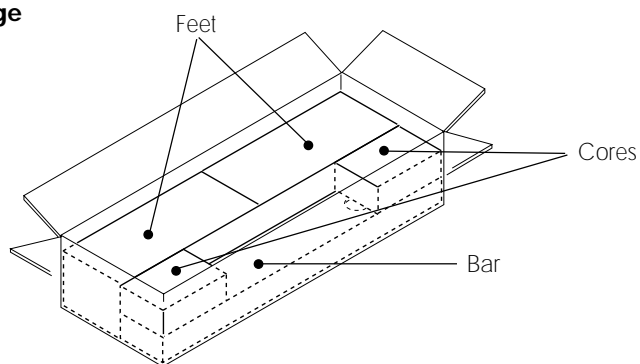
Place the protective sheet in which the plasma display was wrapped under the screen and lay the plasma display on top.

Be sure to perform these operations on a table or stand larger than the plasma display. Placing pressure on the glass surface on the front of the plasma display could damage it. The plasma display can also be installed vertically on the stand.

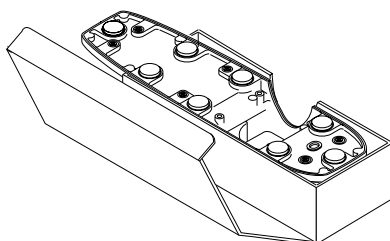
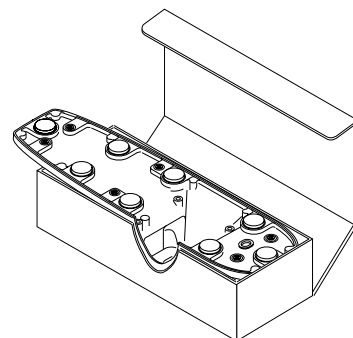


3. Remove the stand from the box.

* Package



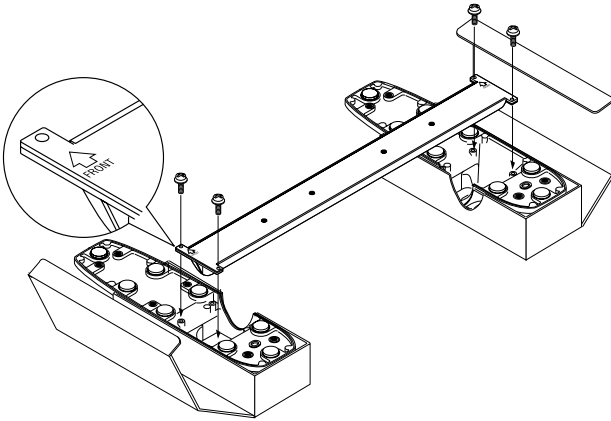
Remove the feet from the cardboard box in their boxes and place them parallel to one another with their bottom facing up.



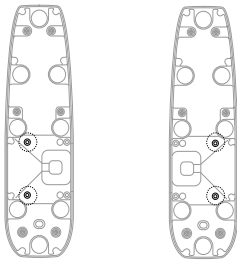
Mounting a 42-inch plasma display on the stand

1. Assembling the stand

1. Turn the bar upside down and place it on the feet, lining it up with the screw holes in the feet.
Install with the arrow facing the front.
2. Fasten the bar to the feet using the four included stand assembly screws (M4).



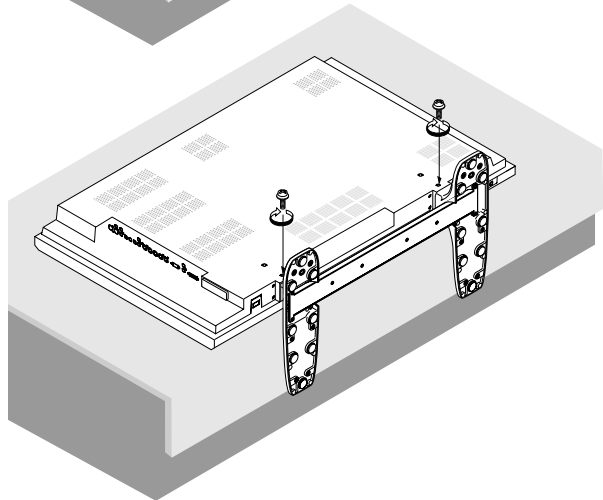
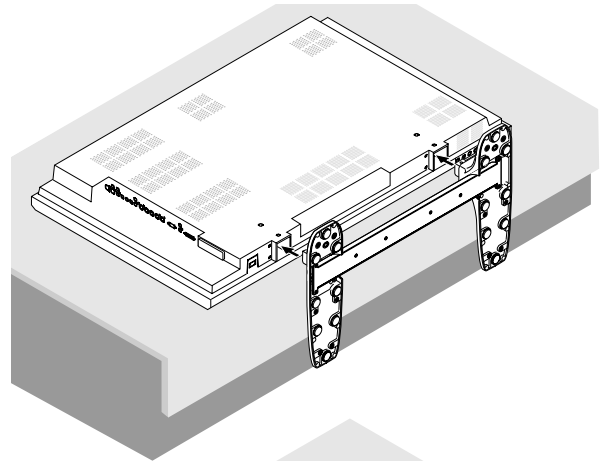
Bar installation position for 42"



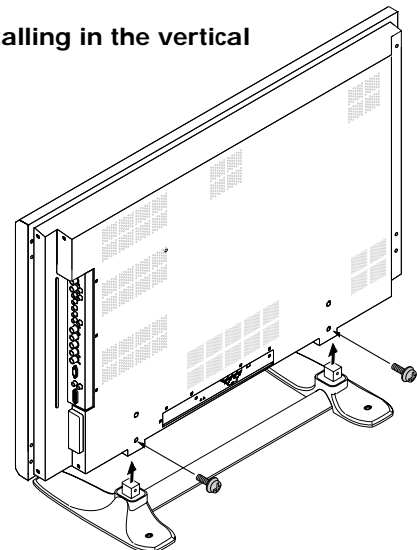
* For 42-inch plasma displays, the 2 cores, 4 core mounting screws and 2 display mounting screws are not used.

2. Insert the plasma display on the stand and fasten it.

Use two of the included M6 display mounting screws to fasten the monitor to the stand.



* When installing in the vertical position



CAUTION:

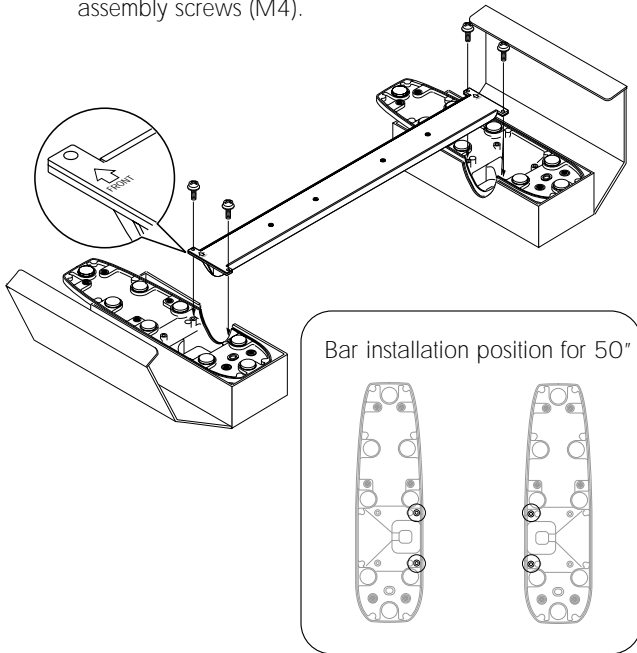
Tighten the screws immediately after placing the display on the stand. If not, the display could tip over, resulting in injury.

Installing the Plasma Display on the Stand

Mounting a 50-inch plasma display on the stand

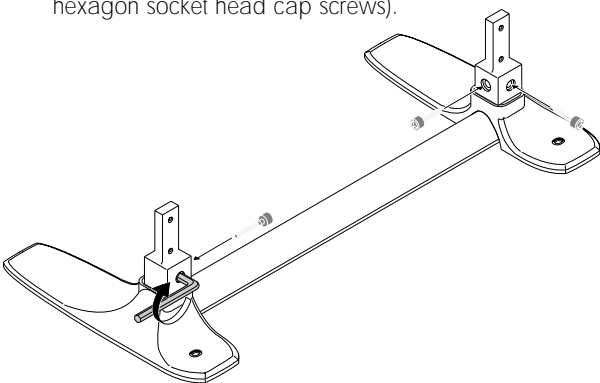
1. Assembling the stand

1. Turn the bar upside down and place it on the feet, lining it up with the screw holes in the feet.
Install with the arrow facing the front.
2. Fasten the bar to the feet using the four included stand assembly screws (M4).



2. Mount the cores on the feet.

- * Fasten using the 4 included core mounting screws (M6 hexagon socket head cap screws).

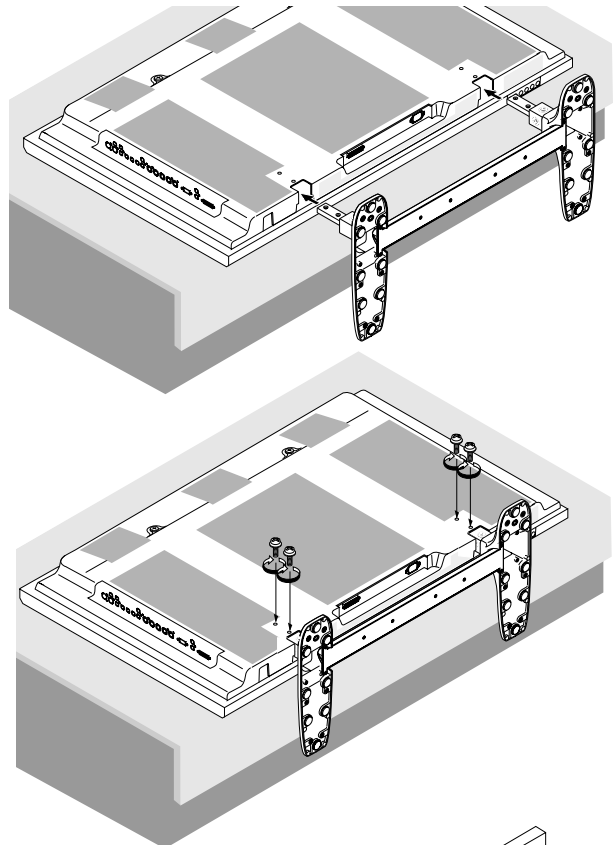


CAUTION:

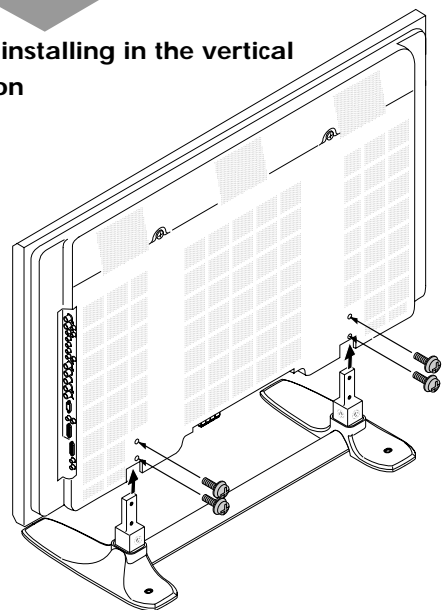
Tighten the screws securely.
If not, the monitor could tip over, resulting in injury.

3. Insert the plasma display on the stand and fasten it.

- Use four of the included M6 display mounting screws to fasten the monitor to the stand.



- * When installing in the vertical position



CAUTION:

Tighten the screws immediately after placing the display on the stand.
If not, the display could tip over, resulting in injury.